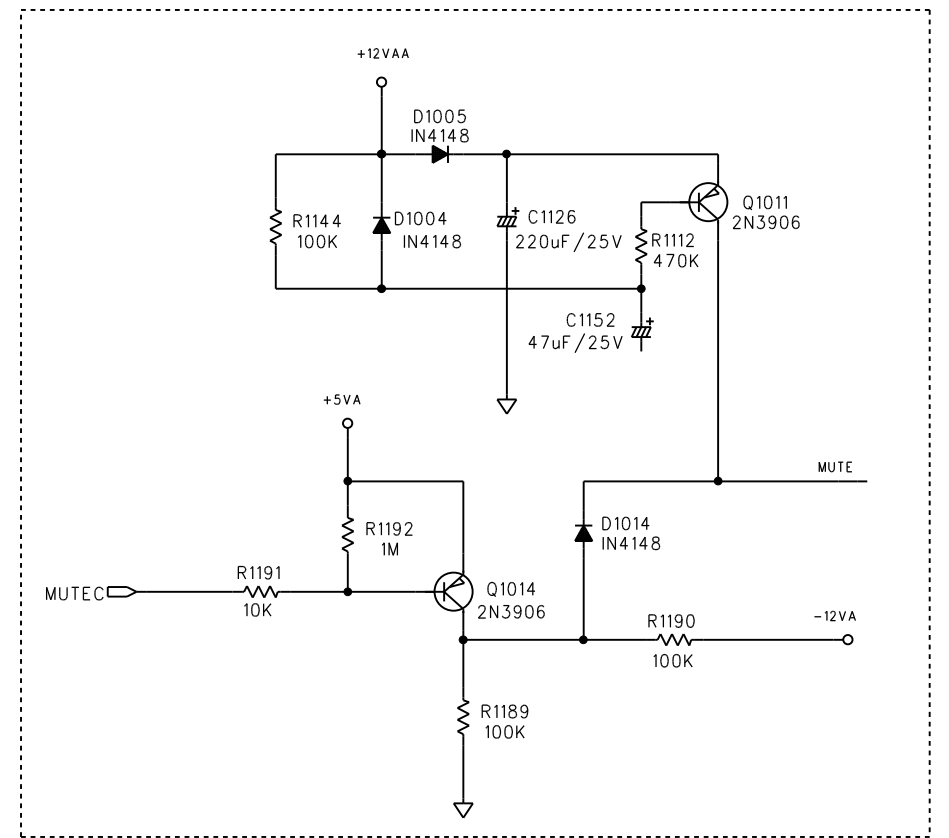
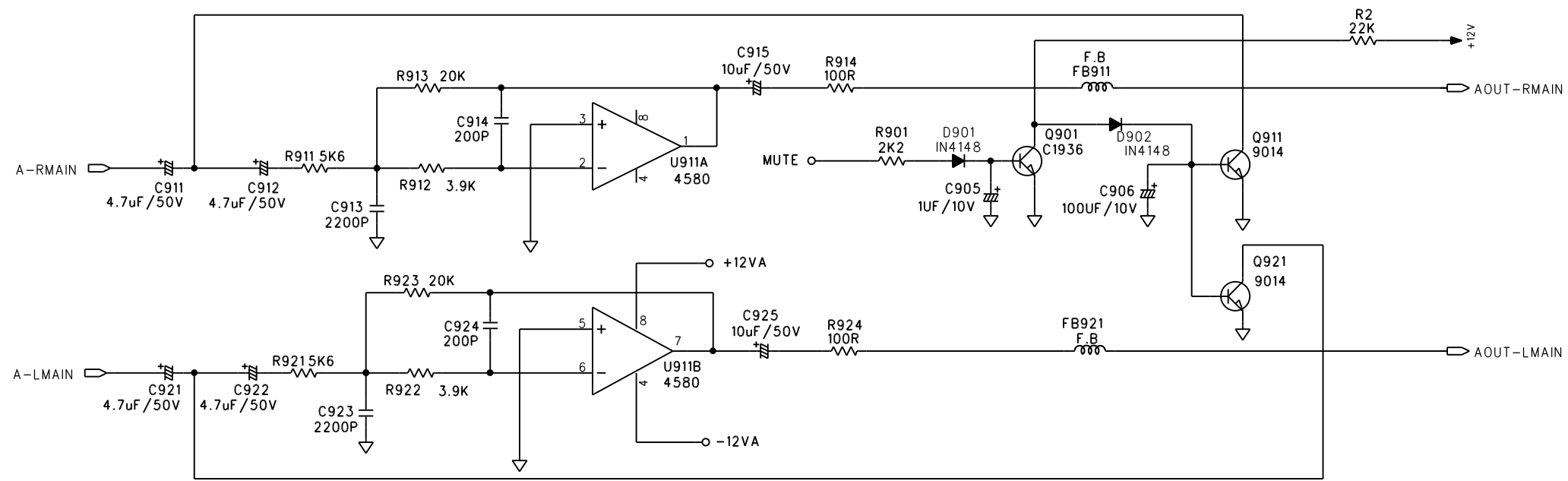
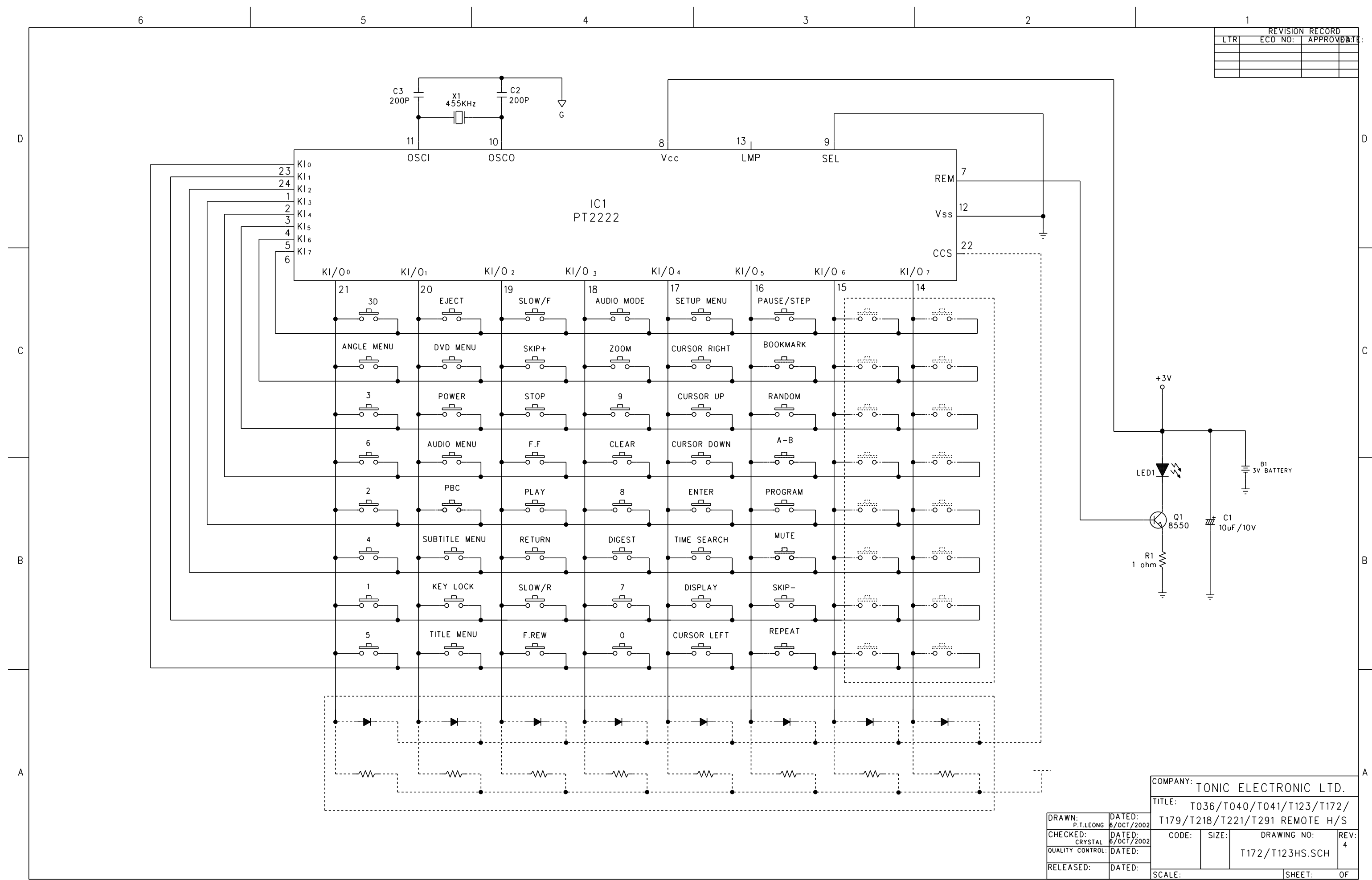


DESIGNED:	CHECKED:	APPROVED:	MOOLE:
			T449/T450/T459/T460
			TITLE:
			POWER SUPPLY(W/O DIS)
			TONIC ELECTRONICS LTD.
DATED:			

REVISION RECORD			
LTR	ECO NO:	APPROVE	DATE:



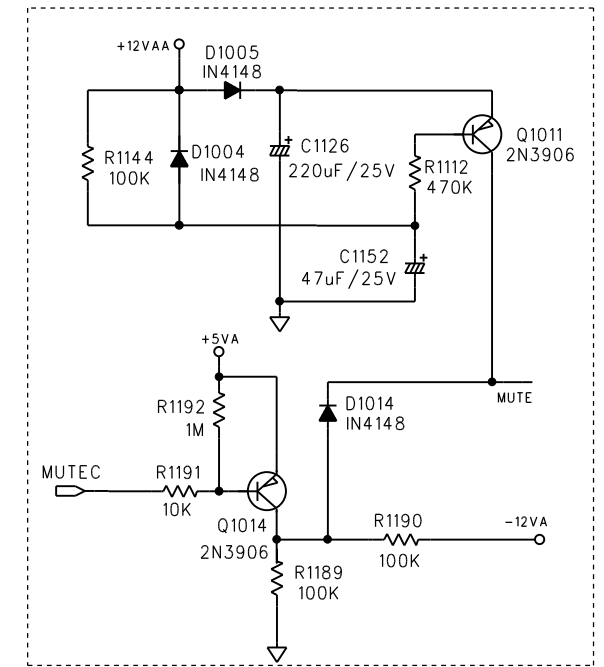
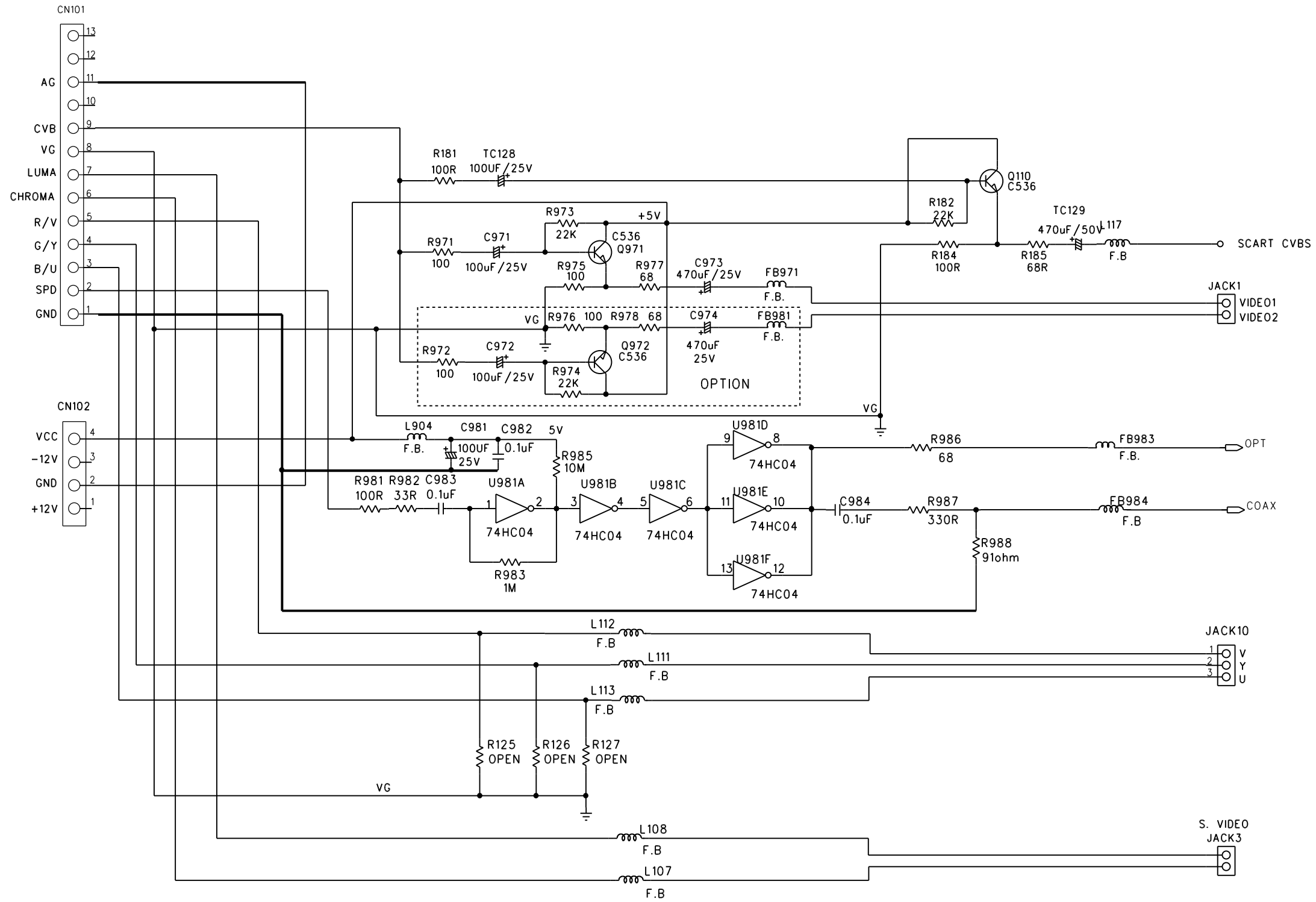
DRAWN: P.T.LEONG		DATED: 8/NOV/2002		COMPANY: TONIC ELECTRONIC LTD.	
CHECKED: ANTHONY TO		DATED: 8/NOV/2002		TITLE: T352/T205	
QUALITY CONTROL:		DATED:		CODE:	SIZE:
RELEASED:		DATED:		D	DRAWING NO: T172 .SCH
SCALE:				SHEET: 8/NOV/2002	



REVISION RECORD			
LTR	ECO NO.	APPROV	DATE

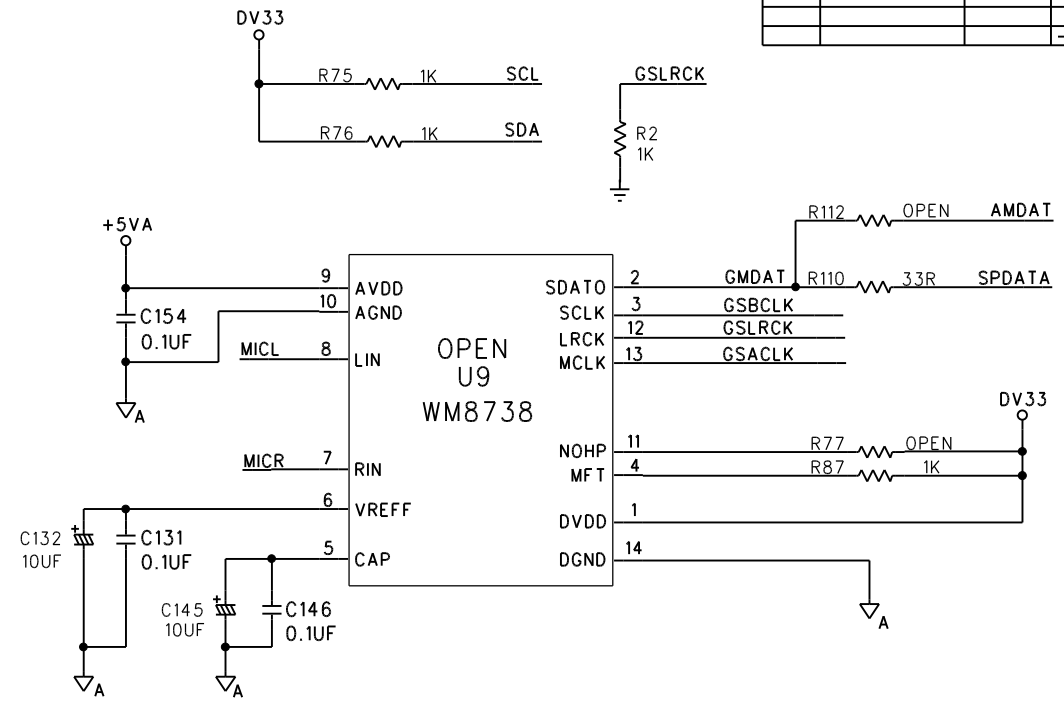
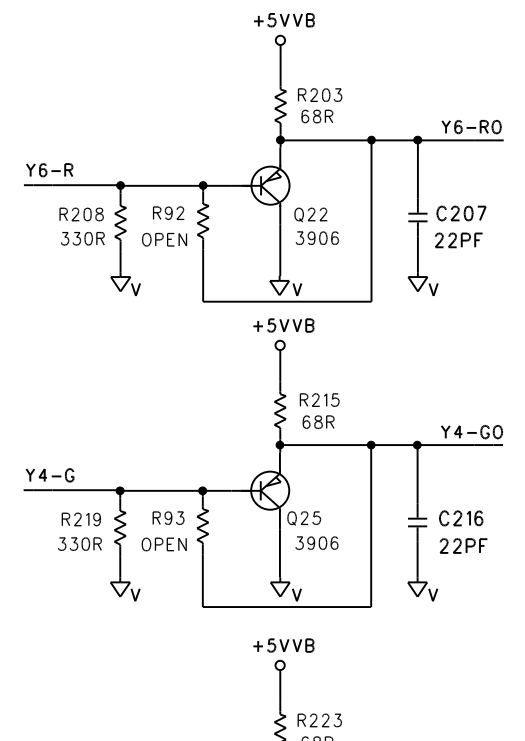
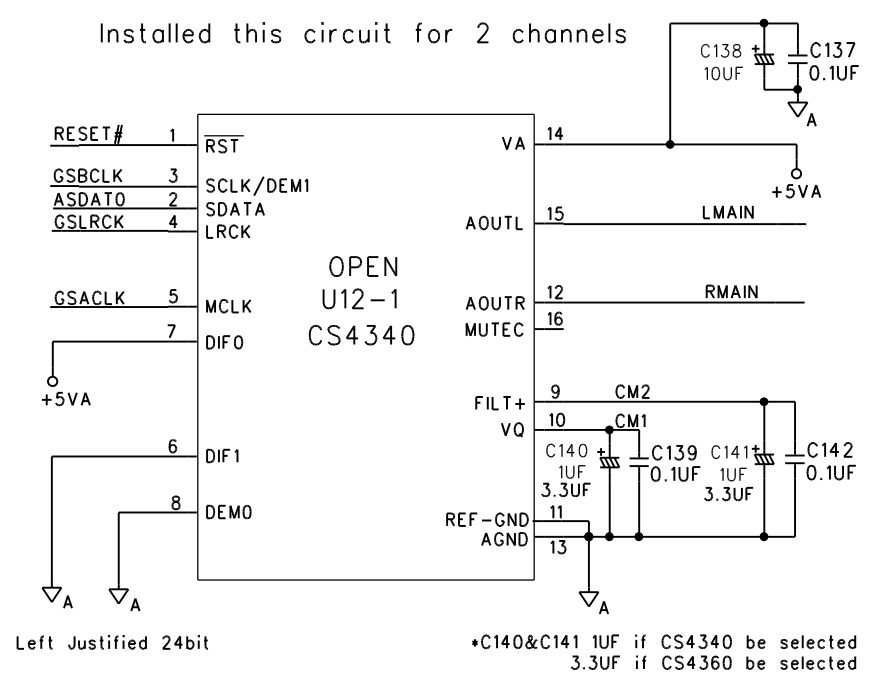
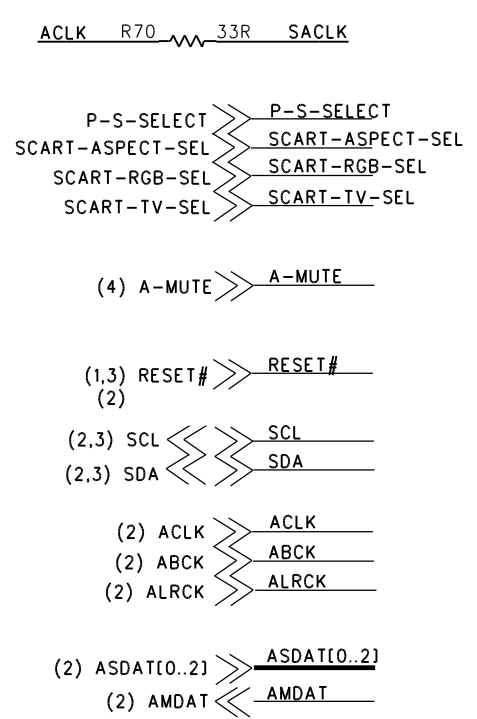
COMPANY: TONIC ELECTRONIC LTD.			
TITLE: T036/T040/T041/T123/T172/T179/T218/T221/T291 REMOTE H/S			
DRAWN: P.T.LEONG	DATED: 6/OCT/2002	CODE:	SIZE:
CHECKED: CRYSTAL	DATED: 6/OCT/2002	DRAWING NO:	REV: 4
QUALITY CONTROL:	DATED:	T172/T123HS.SCH	
RELEASED:	DATED:	SCALE:	SHEET: OF

REVISION RECORD			
LTR	ECO NO:	APPROVE	DATE:

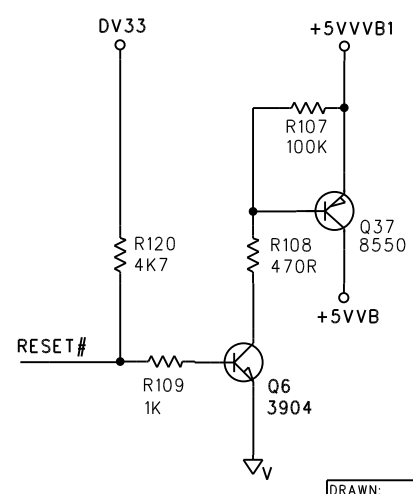
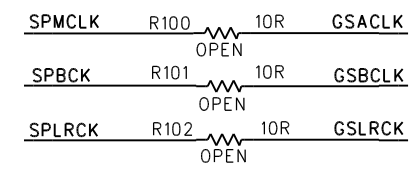
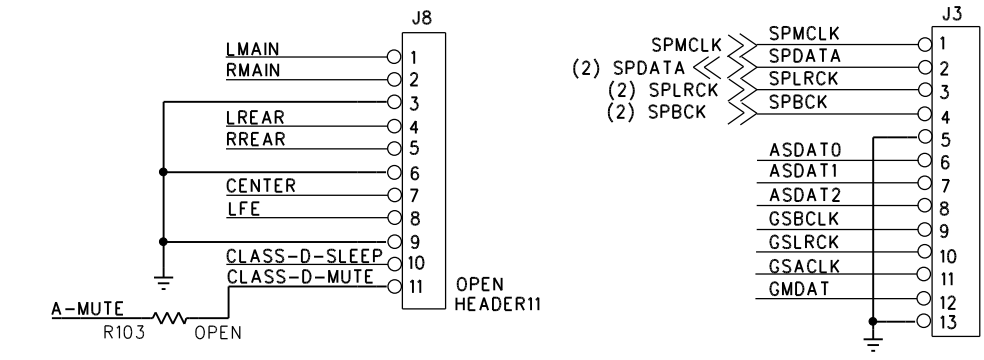
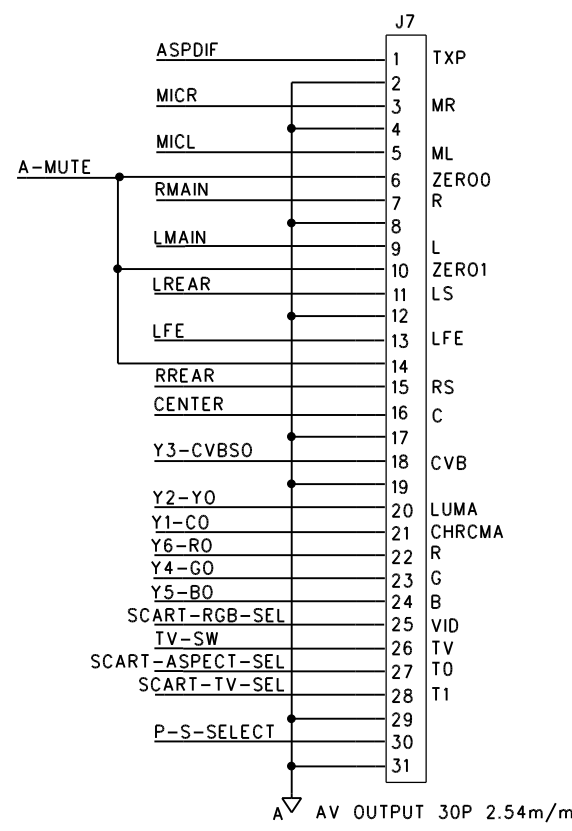
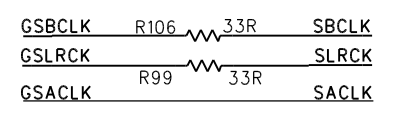
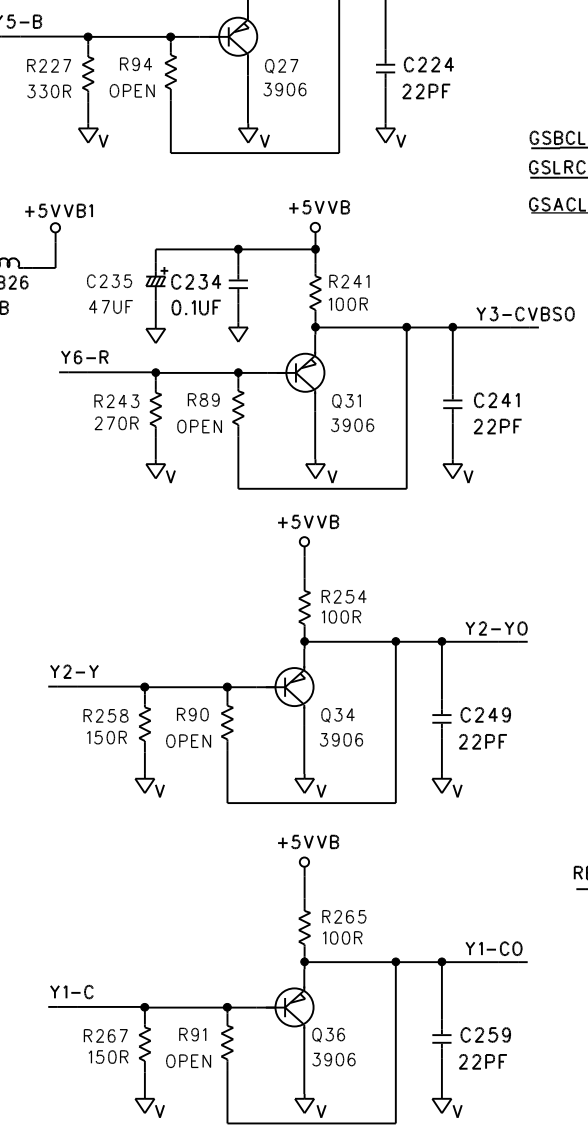
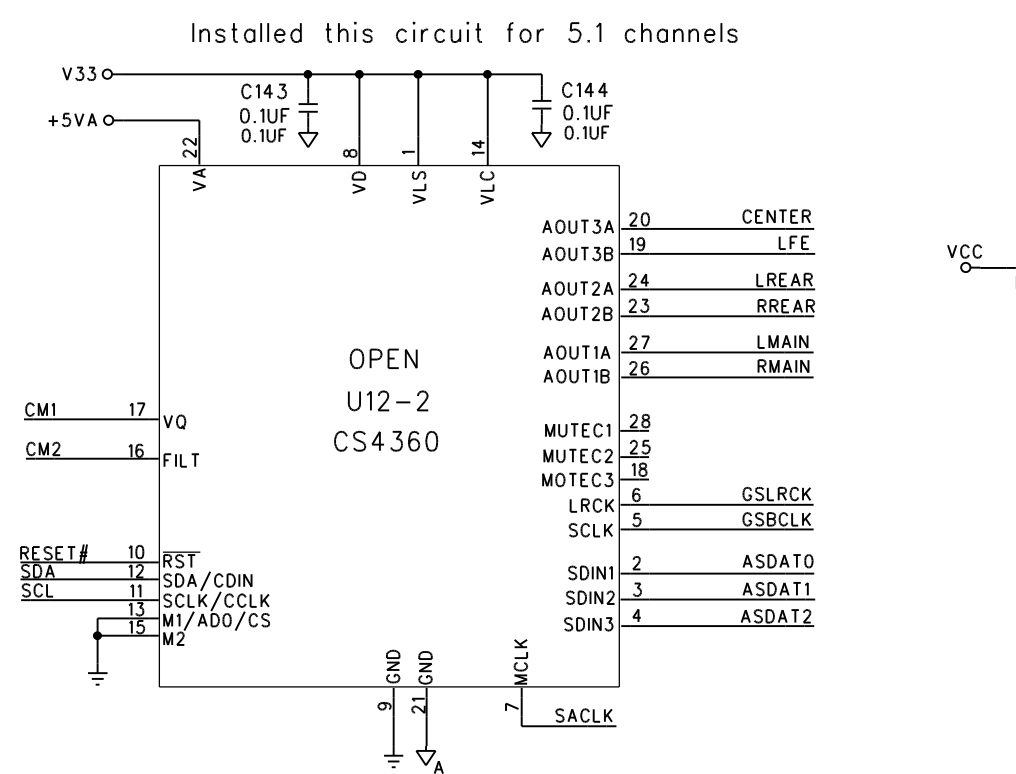
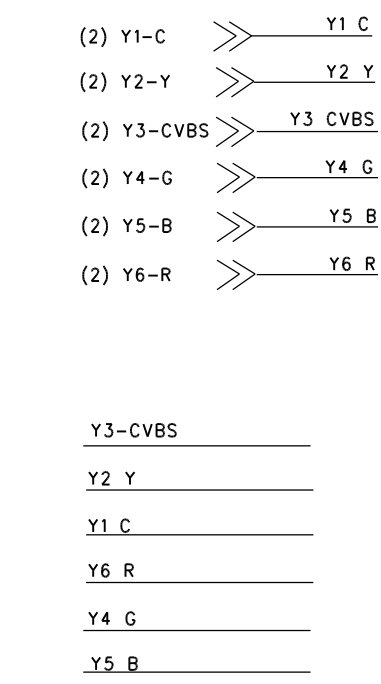


COMPANY: TONIC ELECTRONIC LTD.			
TITLE: T352/T205 OUTPUT CIRCUIT(SCART)			
DRAWN: P.T.LEONG	DATED: 29/3/2002	CODE:	SIZE: D
CHECKED: ANTHONY TO	DATED: 29/3/2002	DRAWING NO: T172-OUTPUT.SCH	REV:
QUALITY CONTROL:	DATED:	SCALE:	SHEET:
RELEASED:	DATED:		

REVISION RECORD			
LTR	ECO NO:	APPROVE	DATE



Installed this circuit for Audio AUX/MIC input



DRAWN: P.T.LEONG	DATED: 26/12/2002
CHECKED: ANTHONY TO	DATED: 26/12/2002
QUALITY CONTROL:	DATED:
RELEASED:	DATED:

COMPANY: TONIC ELECTRONIC LTD.			
TITLE: MT1379'C' + MT1336'C' AV DAC			
CODE: D	SIZE: D	DRAWING NO: MT-SERVO MT-1379 (AV DAC) (SONY KHM234 MT1379)	REV: 1
SCALE:			SHEET: 1 OF 3

6 5 4 3 2 1

MT1379E (LQFP216-0.4) DVD MP BOARD FOR SONY PUH

REVISION RECORD			
LTR	ECO NO.	APPROVED:	DATE:

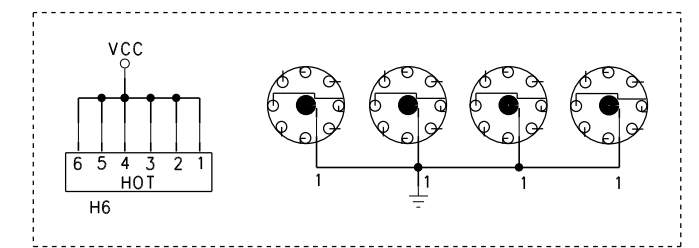
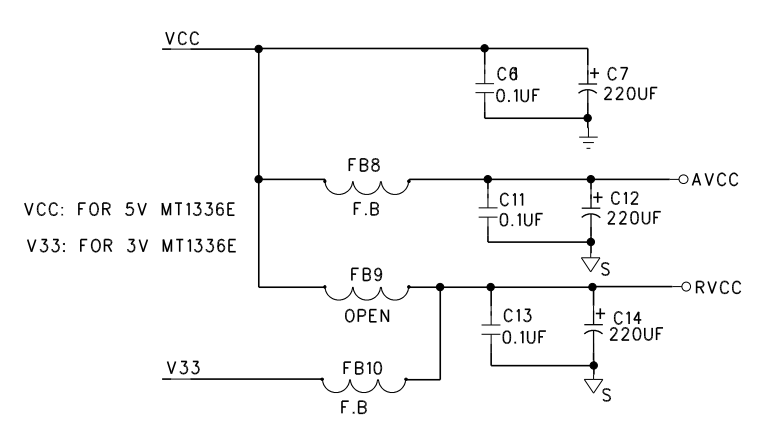
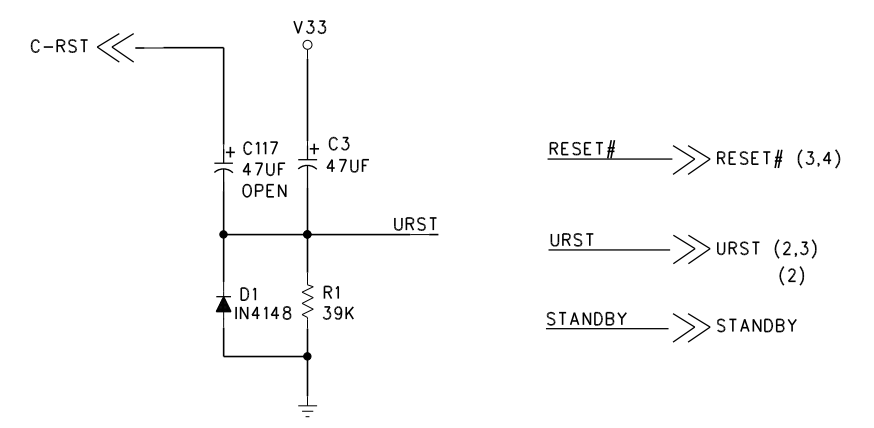
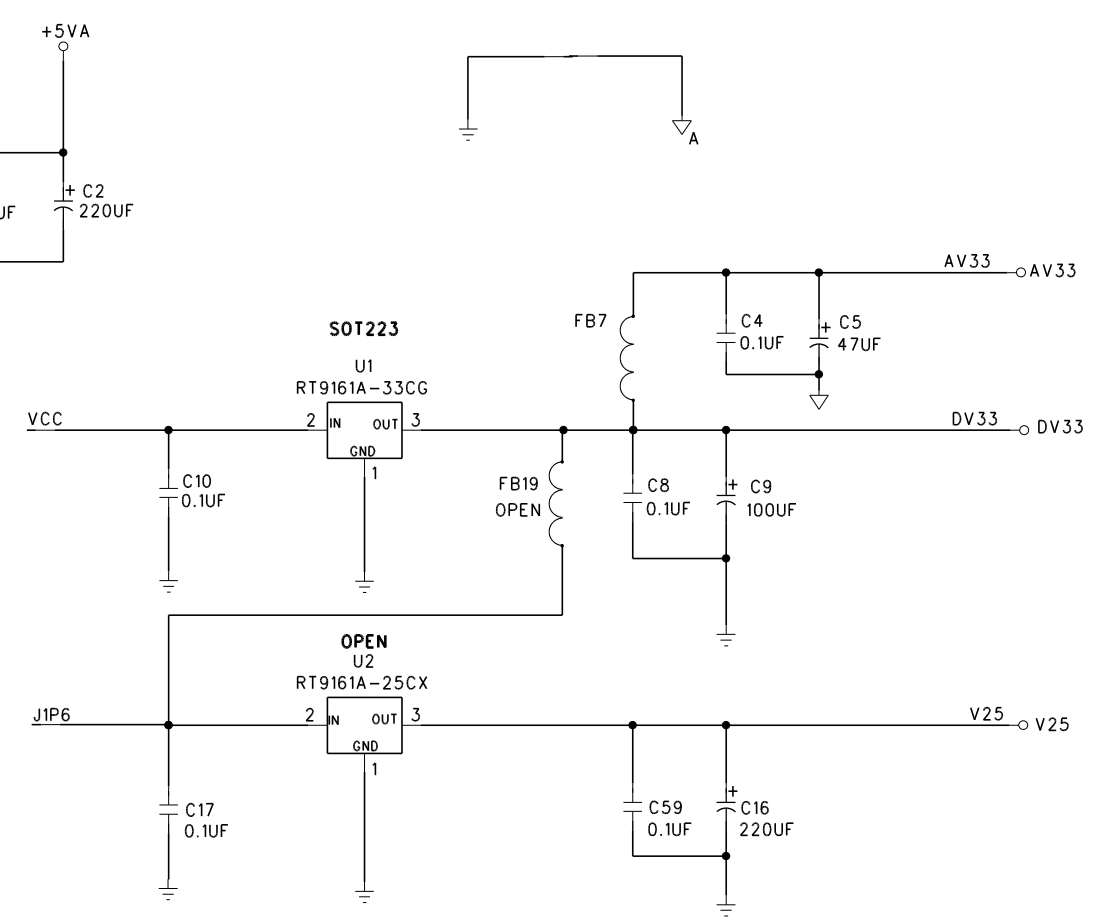
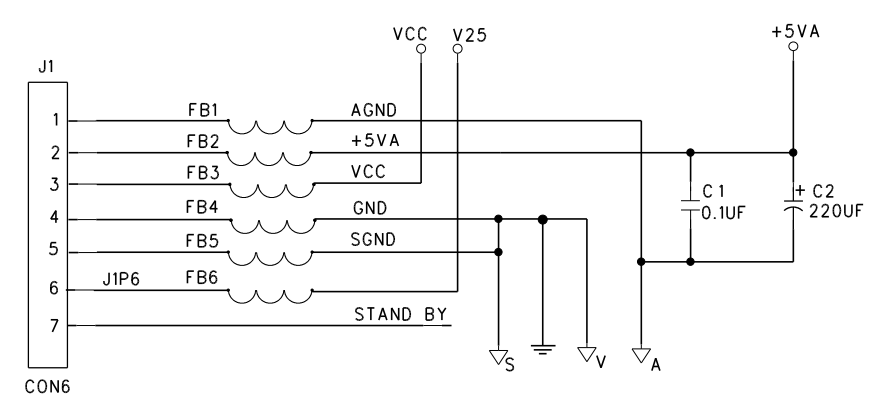
- 1 INDEX & POWER, RESET
- 2 RF/SERVO & MPER-MT1336E/MT1379E
- 3 MEMORY-SDRAM, FLASH/EEPROM
- 4 AUDIO DAC CS4340 OR CS4360

Layout consideration

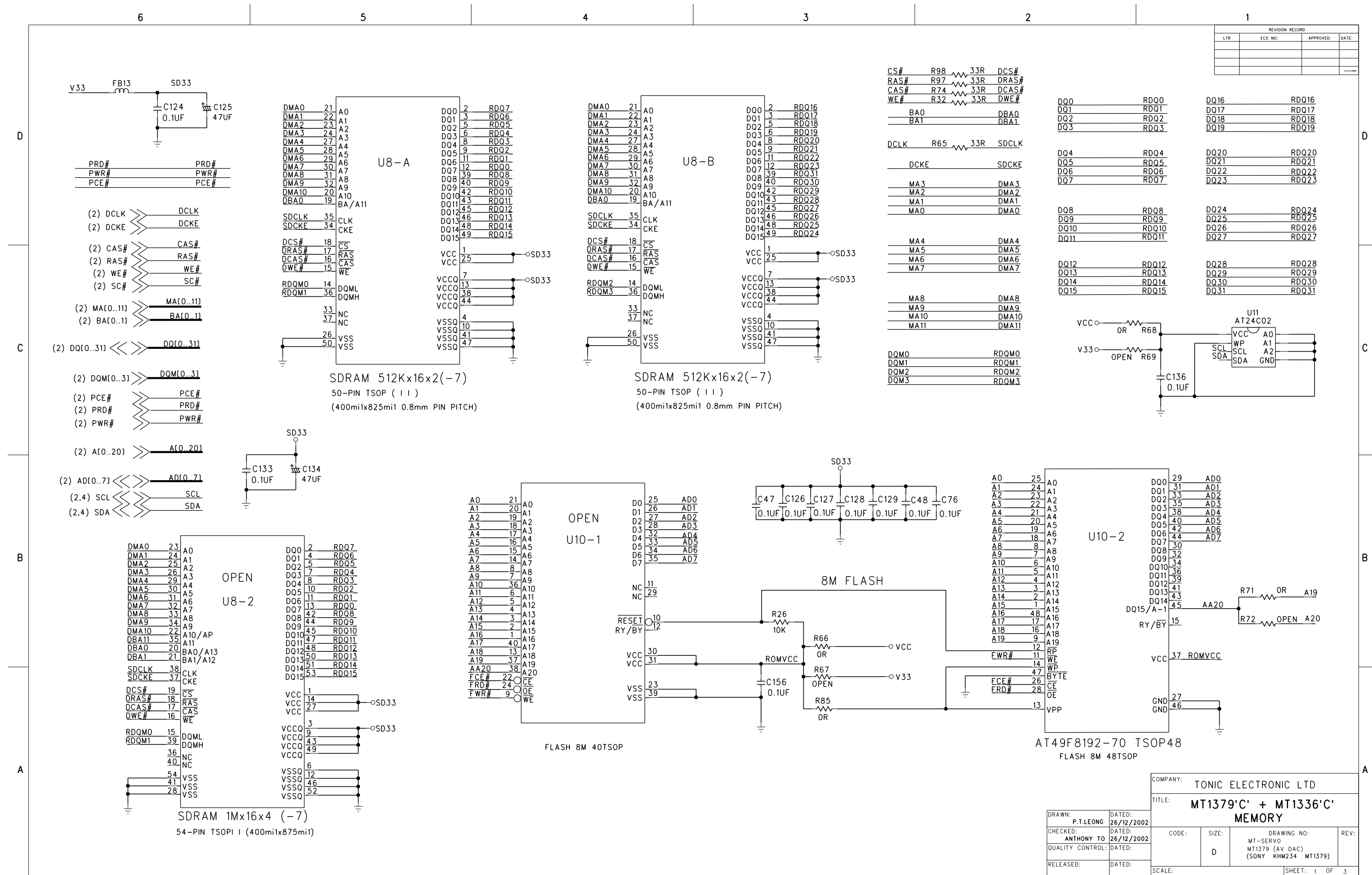
- 1 Audio ground & digital ground should be connected at one point, either at peer connector or underneath Audio DAC.
- 2 For EMC consideration, all power supply lines should have serial ferrite beads, laid as close to the chip as possible.
- 3 All the clock signals should have contain 33 ohm serisl resistors, as close to the source as possible.
- 4 Digital gound should connected the chassis ground at one point.
- 5 Make sure digial signals do not cross the analog boundaries.

NAME	TYPE	DEVICE
VCC	Digital 5v	SUPPLY
RVCC	Servo 5v	MT1336E
AVCC	RF 5v	PICKUP HEADER
V33	Digital 3.3v	SDRAM, Flash, Video DAC
DV33	Digital 3.3v	MT1379E
AV33	Servo 3.3v	MT1379E
V25	Digital 2.5v	MT1379E
+5VA	Audio 5v	Audio DAC

NAME	TYPE
GND	Digital Ground
SGND	Servo Analog Ground
AGND	Audio Ground
VGND	Video Ground



DRAWN: P.T.LEONG		DATED: 26/12/2002		COMPANY: TONIC ELECTRONIC LTD	
CHECKED: ANTHONY TO		DATED: 26/12/2002		TITLE: MT1379'C' + MT1336'C' INDEX	
QUALITY CONTROL:		DATED:		CODE: D	SIZE: D
RELEASED:		DATED:		DRAWING NO: MT-SERVO MT-1379 (AV DAC) (SONY KHM234 MT1379)	
SCALE:				SHEET: 1 OF 3	



COMPANY: TONIC ELECTRONIC LTD

TITLE: MT1379'C' + MT1336'C' MEMORY

DRAWN: P.T.LEONG DATED: 26/12/2002

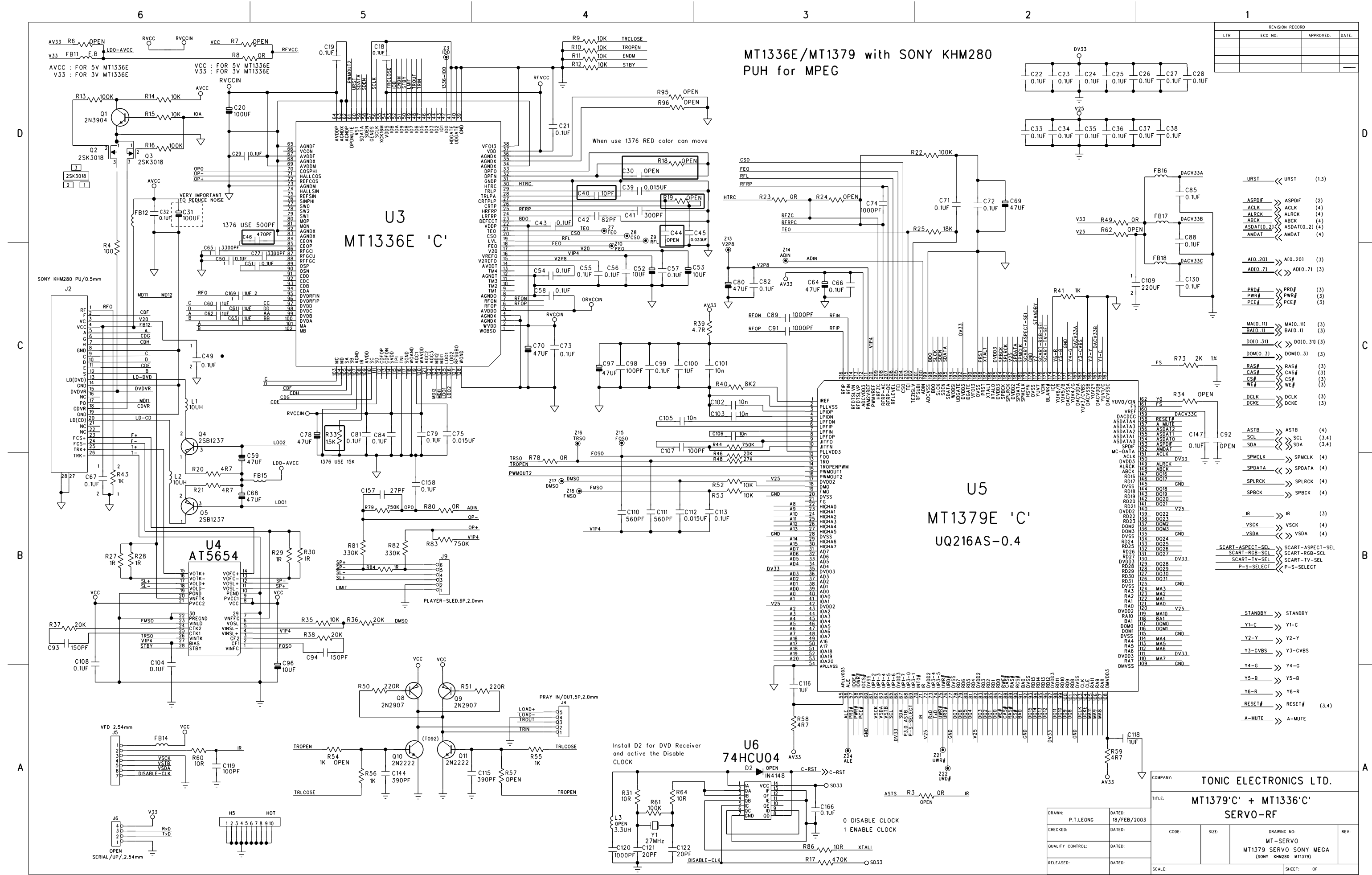
CHECKED: ANTHONY TO DATED: 26/12/2002

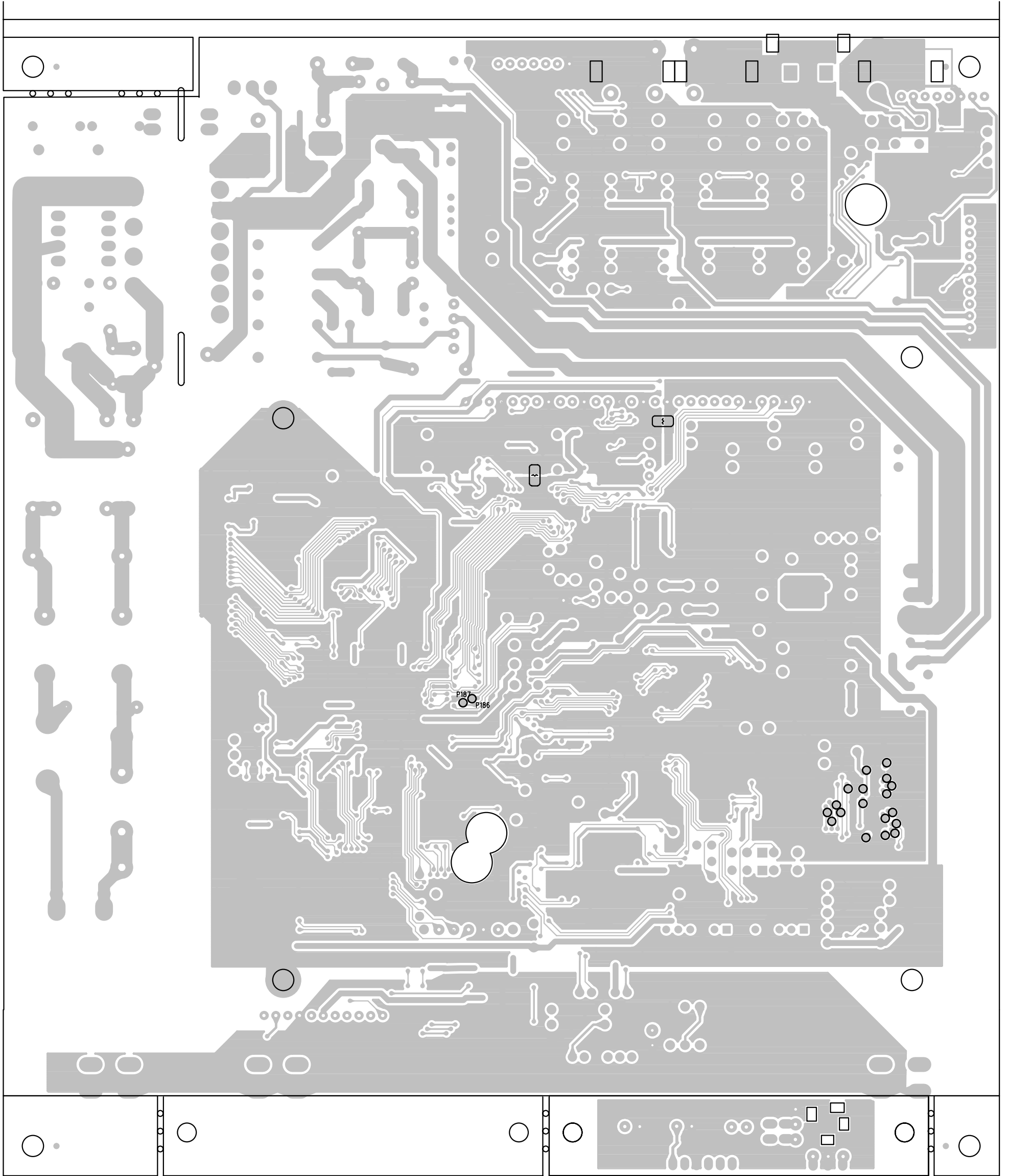
QUALITY CONTROL: DATED:

RELEASED: DATED:

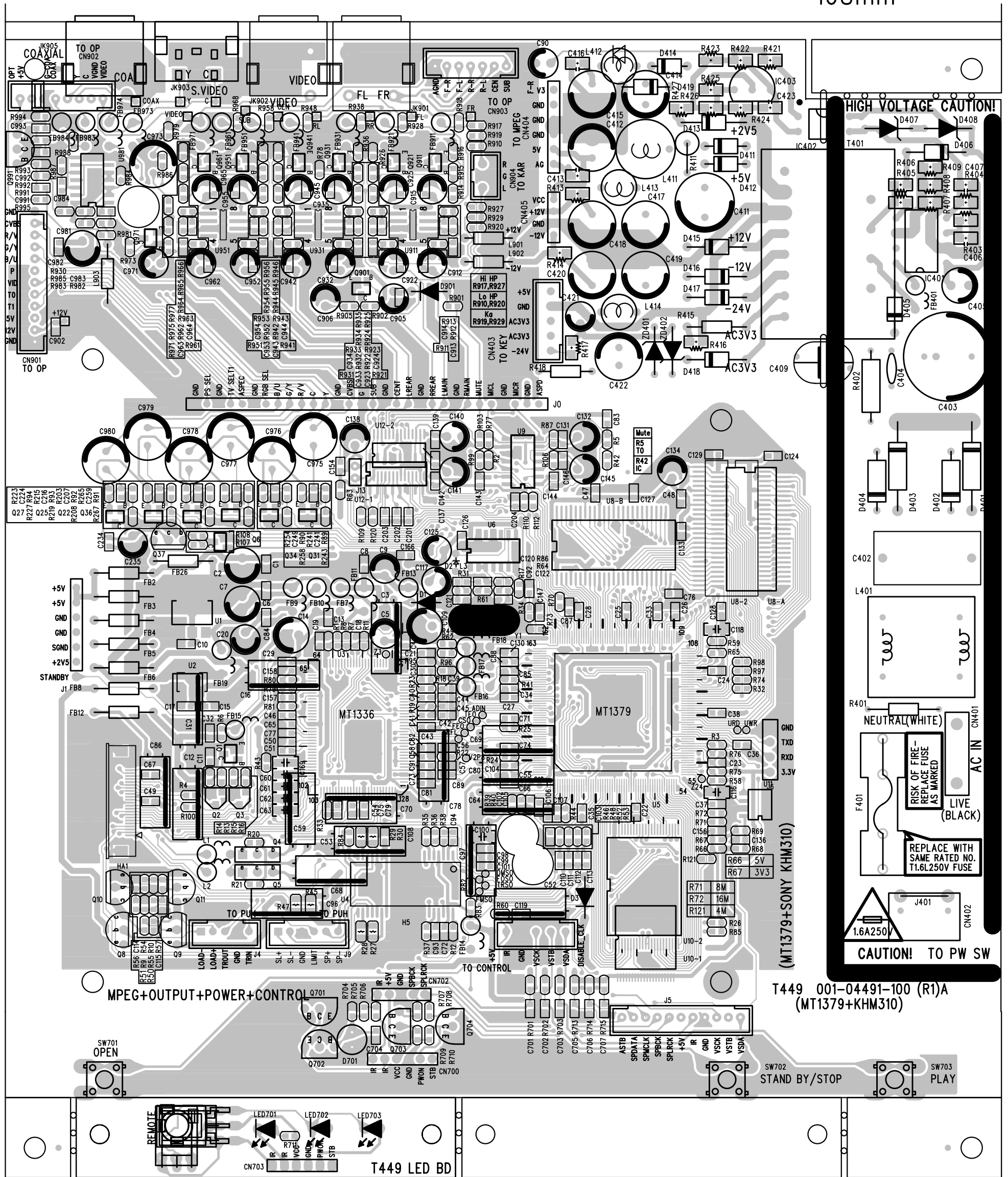
CODE: D SIZE: D DRAWING NO: MT-SERVO MT1379 (AV DAC) (SONY KHM234 MT1379) REV: 1

SCALE: SHEET: 1 OF 3

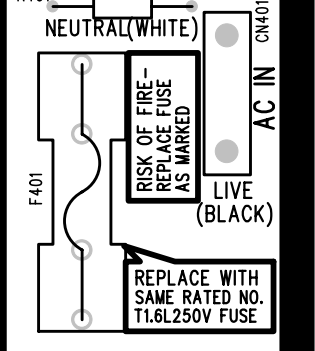




168mm



HIGH VOLTAGE CAUTION!



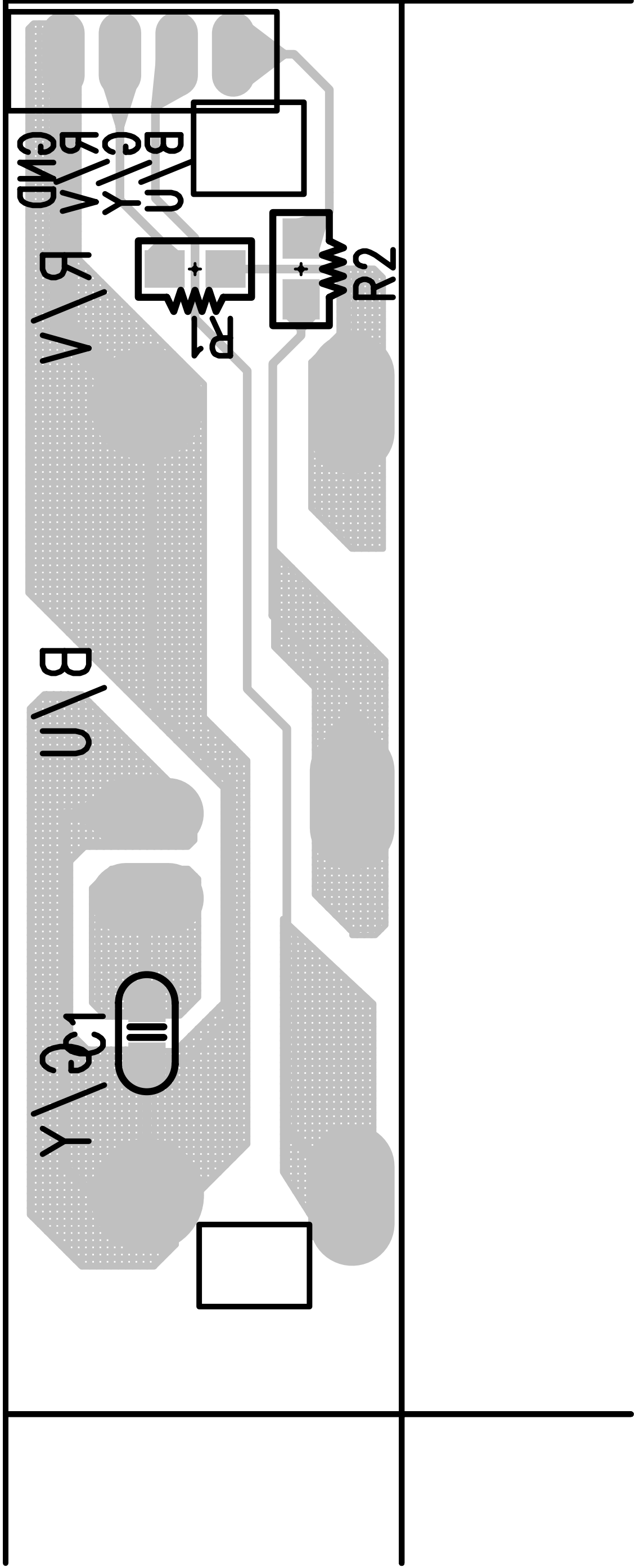
CAUTION! TO PW SW

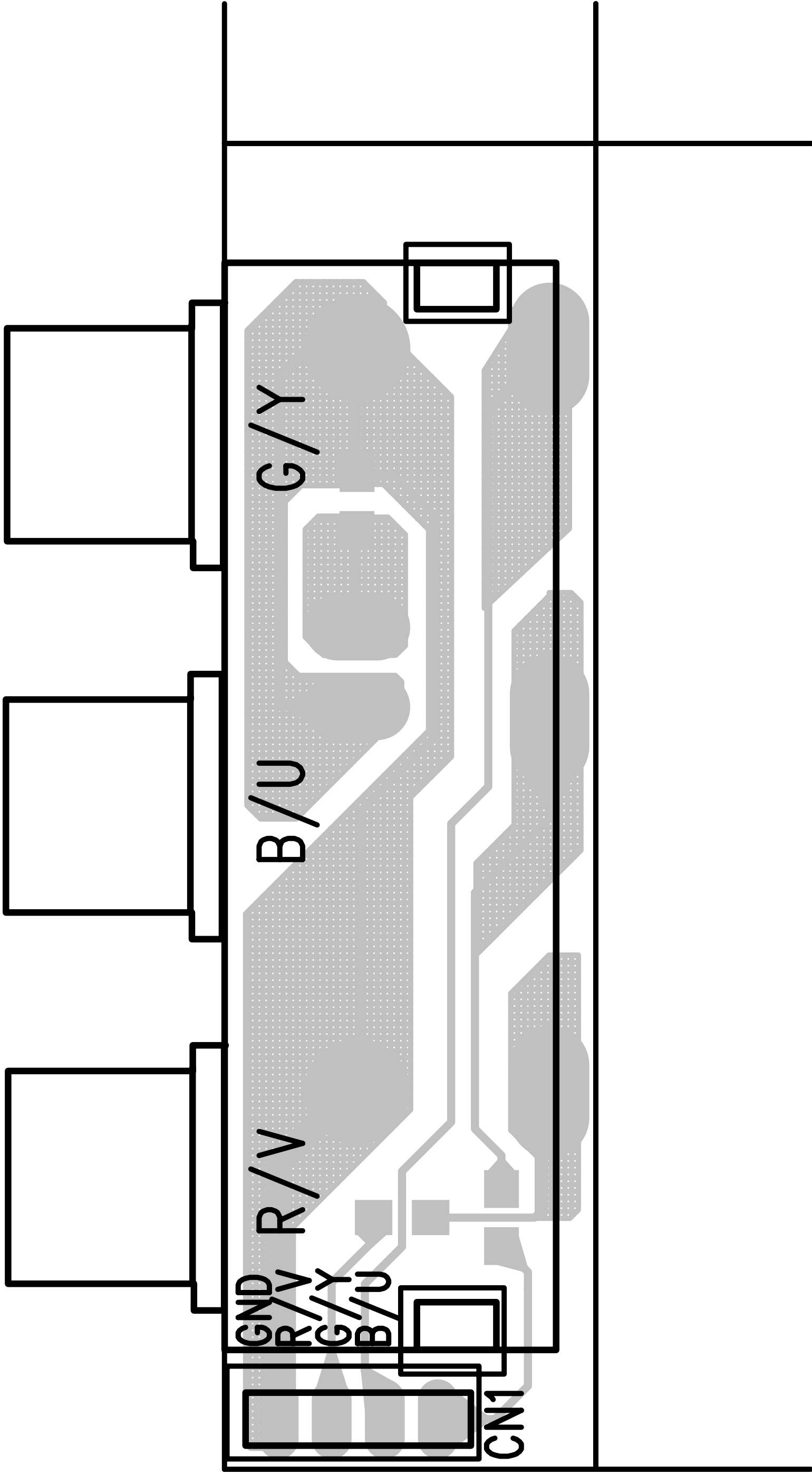
T449 001-04491-100 (R1)A
(MT1379+KHM310)

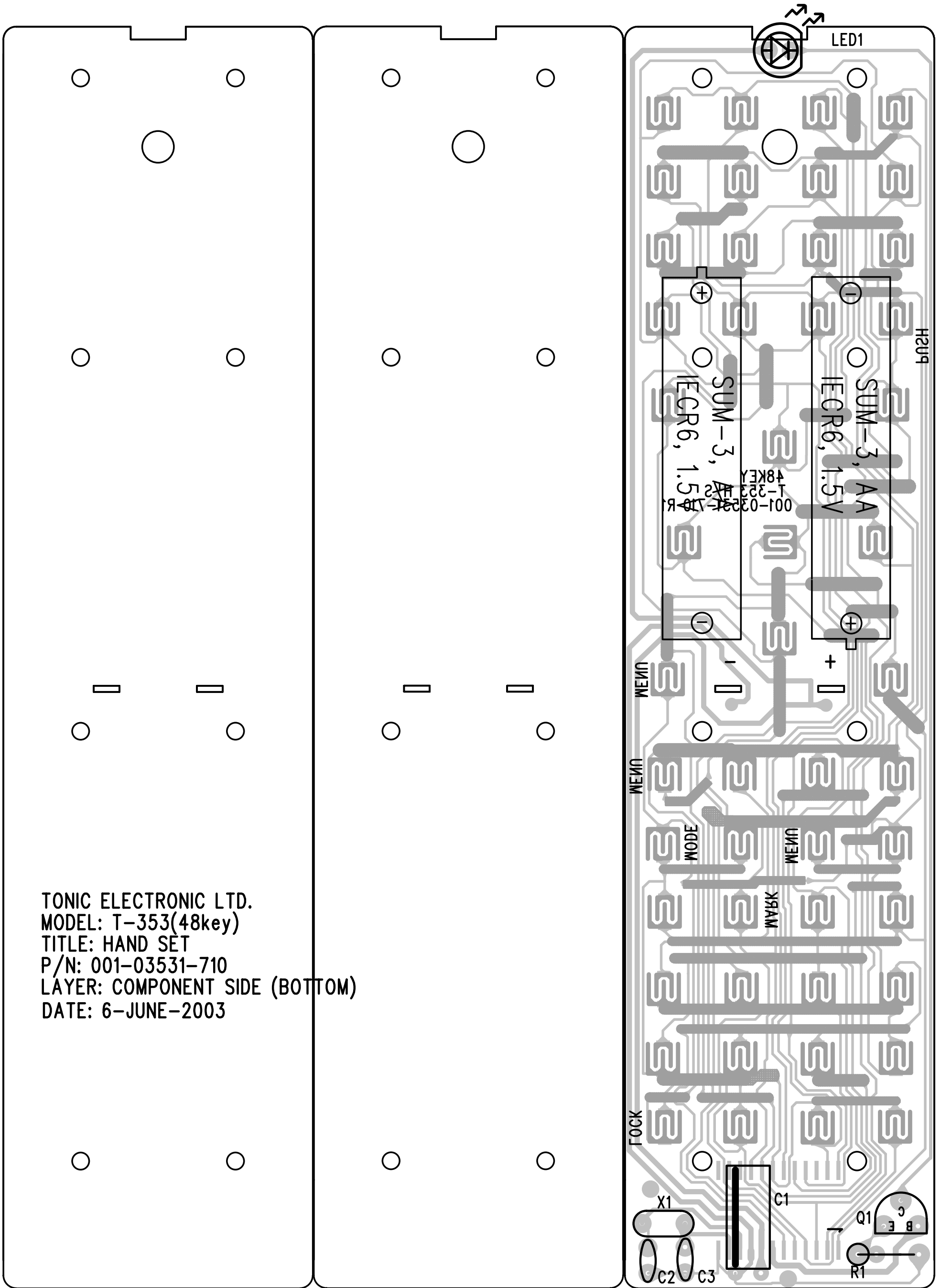
Notice

LED SET	
STAND BY	SPBCK
PWR ON	SPLRCK

KEY SET	
OPEN	VSCK
STOP	VSTB
PLAY	VSDA
NEXT	SPMCLK
PREV	SPDATA
PWR ON	ASTB







TONIC ELECTRONIC LTD.
 MODEL: T-353(48key)
 TITLE: HAND SET
 P/N: 001-03531-710
 LAYER: COMPONENT SIDE (BOTTOM)
 DATE: 6-JUNE-2003

TONIC ELECTRONICS LTD.

DVD PLAYER SPECIFICATION (Revised on February 5, 2002)

FOR ALL DVD PLAYER MODEL USE ** (Revised on June 28, 2002)

APPROVAL BY: MR. S.L.TO

DATE: June 28, 2002

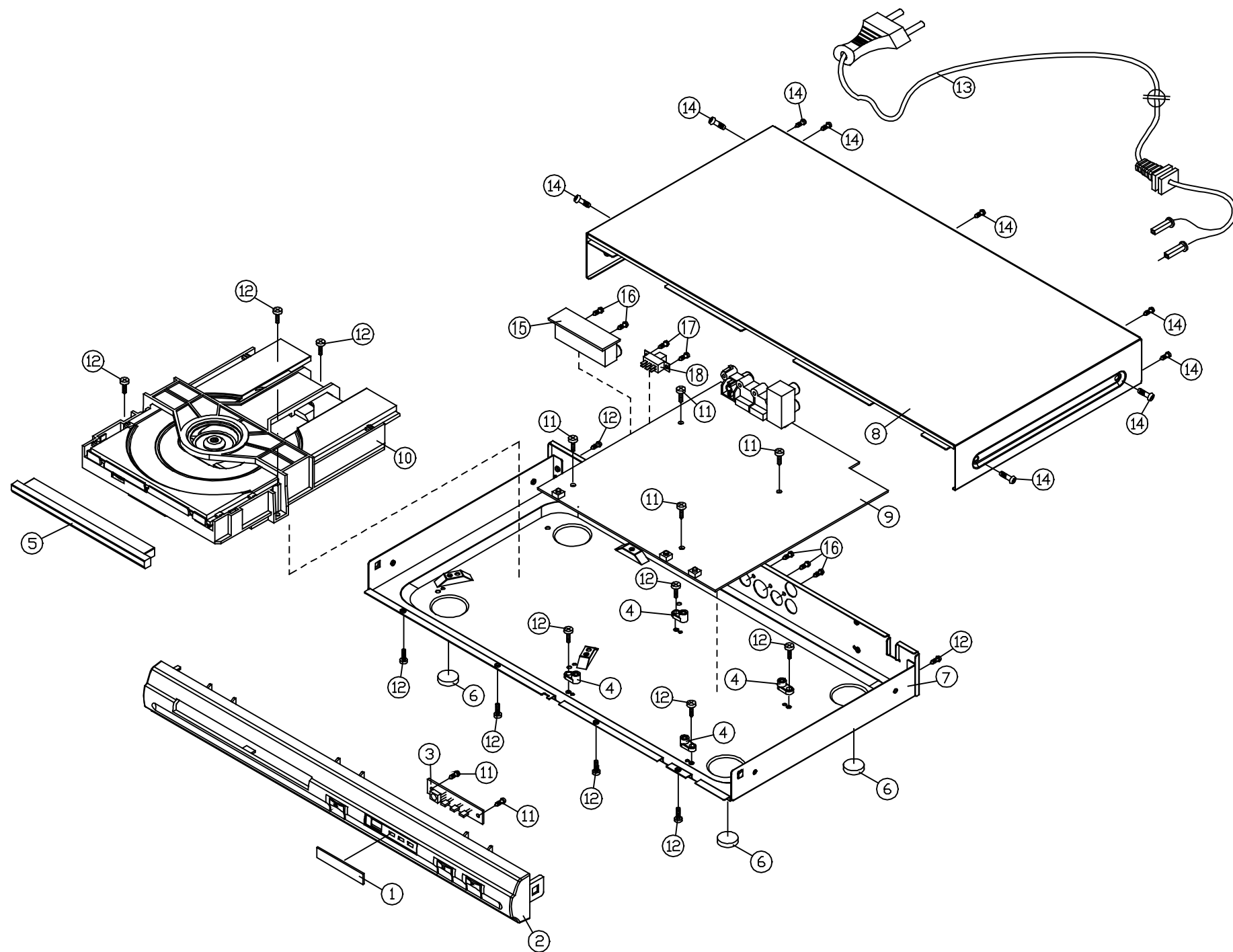


MEASURING ITEMS		UNIT	NORMAL	LIMIT	TEST CONDITION
VIDEO OUTPUT (75 Ohm)		V p-p	1	± 0.1	TVD-520A
S-VIDEO OUTPUT (75 Ohm)	Y	V p-p	1	± 0.1	TVD-520A
	PAL C	V p-p		>0.29	
	NYSC C	V p-p		>0.27	
AUDIO OUTPUT (2CH)		Vrms	2	± 0.2	1KHz, 0dB
DIGITAL AUDIO OUTPUT (COAXIAL)		V p-p	1.0	± 0.2	
FREQ. RESPONSE	20 Hz	dB	0	± 3	CD-1/1 KHz REF.
	100 Hz	dB	0	± 3	
	1 KHz	dB	0	0	
	10 KHz	dB	0	± 3	
	20 KHz	dB	0	± 3	
T.H.D. AT STANDARD O/P		%		<0.2%	1KHz At 0dB
SEPARATION AT L/R	100Hz	dB			WITH 'A' FILTER
	1KHz	dB		>60	
	10KHz	dB			
S/N RATIO (INF A FILTER) / W/ FILTER		dB	70	65	TCD-782
INITIAL READING TIME	CD	SEC		<10	TCD-782
	DVD	SEC		<15	TDV-522 OR TDC-541
ACCESS TIME	1 ST TRACK	SEC		5	TCD-782
	LAST TRACT	SEC		10	
INTERRUPTIONS	SCRATCH	MM	1.0	0.7	PHILIPS 444A
	BLACK DOT	MM	0.8	0.5	
	FINGER PRINT	18-19	ALL	CLEAR	
ECCENTRICITY		MM		0.14	TCD-712
VERTICAL DEVIATION		MM		0.8	TCR-731RA
HUM & NOISE		MV		2	
SHOCK ABILITY (MUSIC DISC)	CENTRE	GRM			W/OUT INTERRUPTION (TENSION GAUGE)
	4 CORNERS	GRM			
BASS BOOST	100Hz	dB			
MIN. OPERATION VOLTAGE		V		<108	

REMOTE HANDSET

MEASURING ITEMS		UNIT	NORMAL	LIMIT	TEST CONDITION
TRANSMIT DISTANCE	MTR		>6		
TRANSMIT ANGLE	DEGREE		>30		
MIN. OPERATION VOLTAGE	DC V		<2.1		

EXPLODE VIEW / PARTS LIST (CABINET)
(MODEL:M449PB)



NO.	PART NO.	DESCRIPTION
1	117-04490-101	LED LENS
2	101-04490-0320-V	FRONT CABINET
3	M449PB-CTL-ASSY	M449PB (MI) CONTROL KEY CHASSIS
4	130-04492-010	N449M MOUNTING POST
5	113-04491-001	DVD DOOR
6	136-80030-100	RUBBER FOOT (10X3mm)
7	180-04494-0320-230	BOTTOM CABINET
8	180-04993-033	TOP CABINET
9	M449PB-MPEG-001	M449PB (MI) MPEG/DP/PWR/CTL
10	M459S-DVD-LOADER	M459S (SONY KHM-310AAA)
11	144-13008-101	SCREW 3X8 RT
12	144-53006-201	SCREW 3X6 STB (TB)
13	023-60040-301	AC CORD UL APP#6"
14	144-53008-201	SCREW 3x8 STB (TB)
15	001-04490-910	T449 JACK BD.
16	144-13010-110	SCREW 3X10 RT (A) BLACK
17	144-32005-101	SCREW 2X5 STR (M)
18	020-22205-107	SWITCH SS-22F25G5 (2P2T)
19		
20		
21		
22		
23		
24		
25		
26		
27		
28		
29		
30		
31		
32		
33		
34		
35		
36		
37		
38		
39		
40		
41		
42		
43		
44		
45		
46		
47		
48		

M449PB - WIRING DIAGRAM

